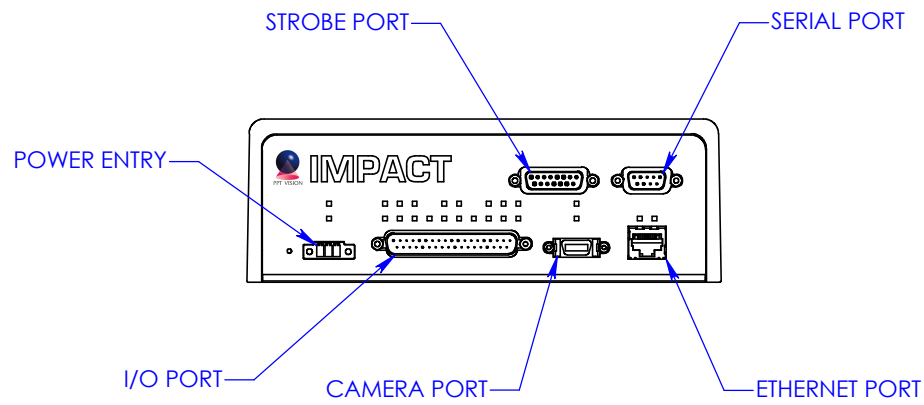
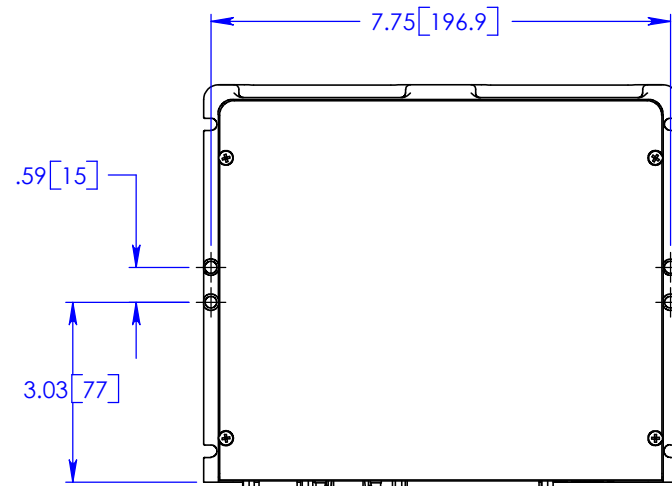
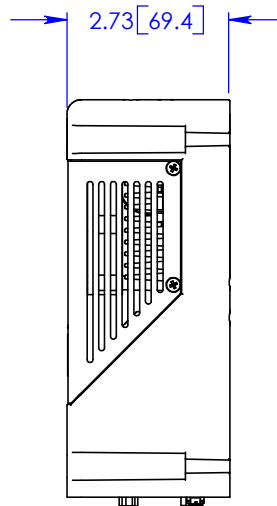
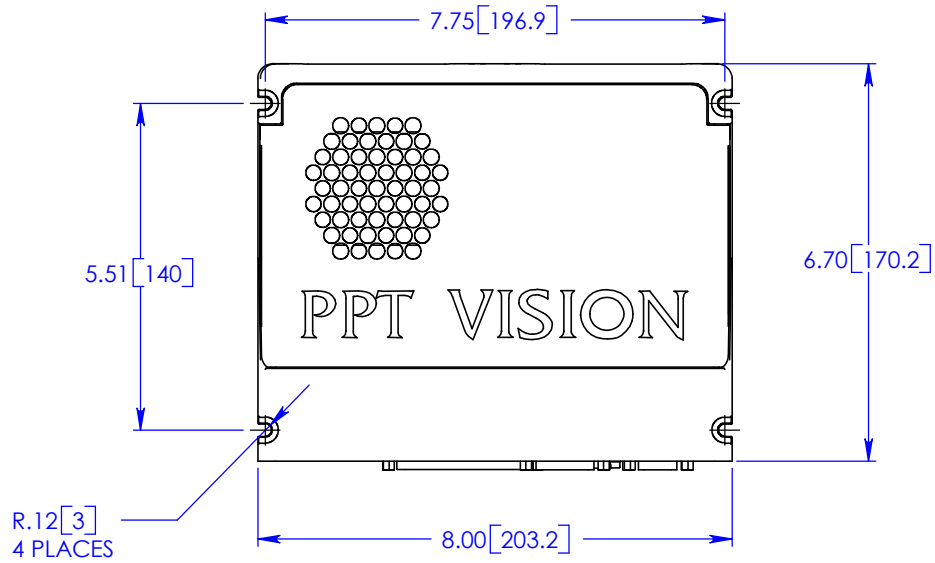
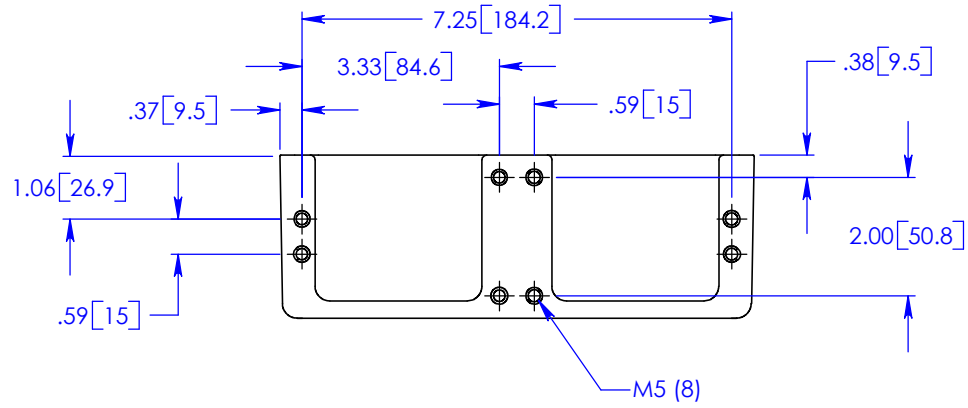


THE INFORMATION CONTAINED IN THIS DRAWING IS THE SOLE PROPERTY OF PPT VISION. ANY REPRODUCTION IN PART OR WHOLE WITHOUT THE WRITTEN PERMISSION OF PPT VISION IS PROHIBITED.



NOTES:
1. Dimensions are inch [mm].

UNLESS OTHERWISE SPECIFIED DIMENSIONS ARE IN INCHES TOLERANCES ARE: DECIMALS .X = ±0.015 .XX = ±0.010 .XXX = ±0.005 ANGLES ±2°	REMOVE ALL BURRS		PPT VISION		1298B Valley View Road Eden Prairie, MN 55344
	APPROVALS	DATE			
	DRAWN J. Manias	28 Oct 02			
	CHECKED				
MATERIAL	RESP ENG RPO				
FINISH	MFG ENG				
DO NOT SCALE DRAWING	QUAL ENG				
SIZE C		DWG. NO. 661-0306		REV.	
SCALE=1:2		CAD FILE: 661-0306.SLDDRW		SHEET 1 OF 1	